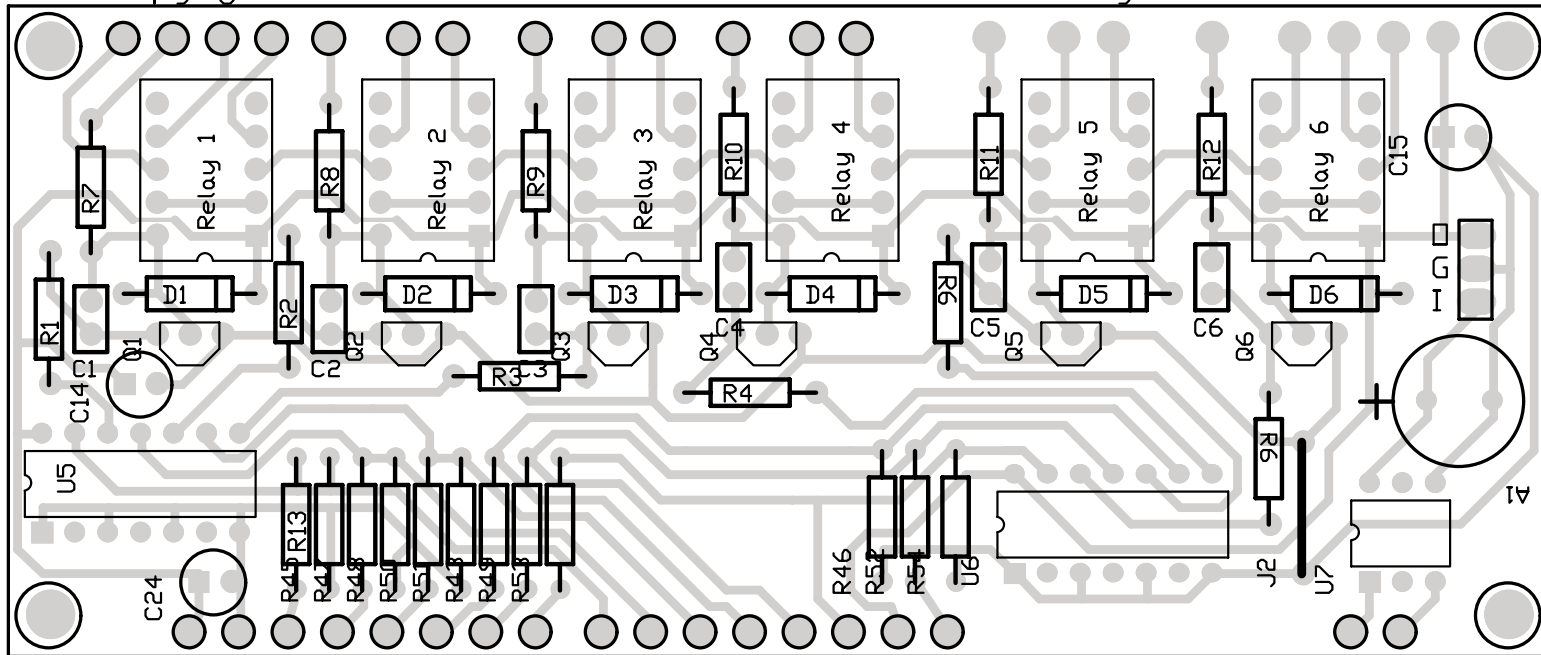


Footswitch/Send Board

Copyright 2003 R.G. Keen

Relay/Receiver Board



4.60"