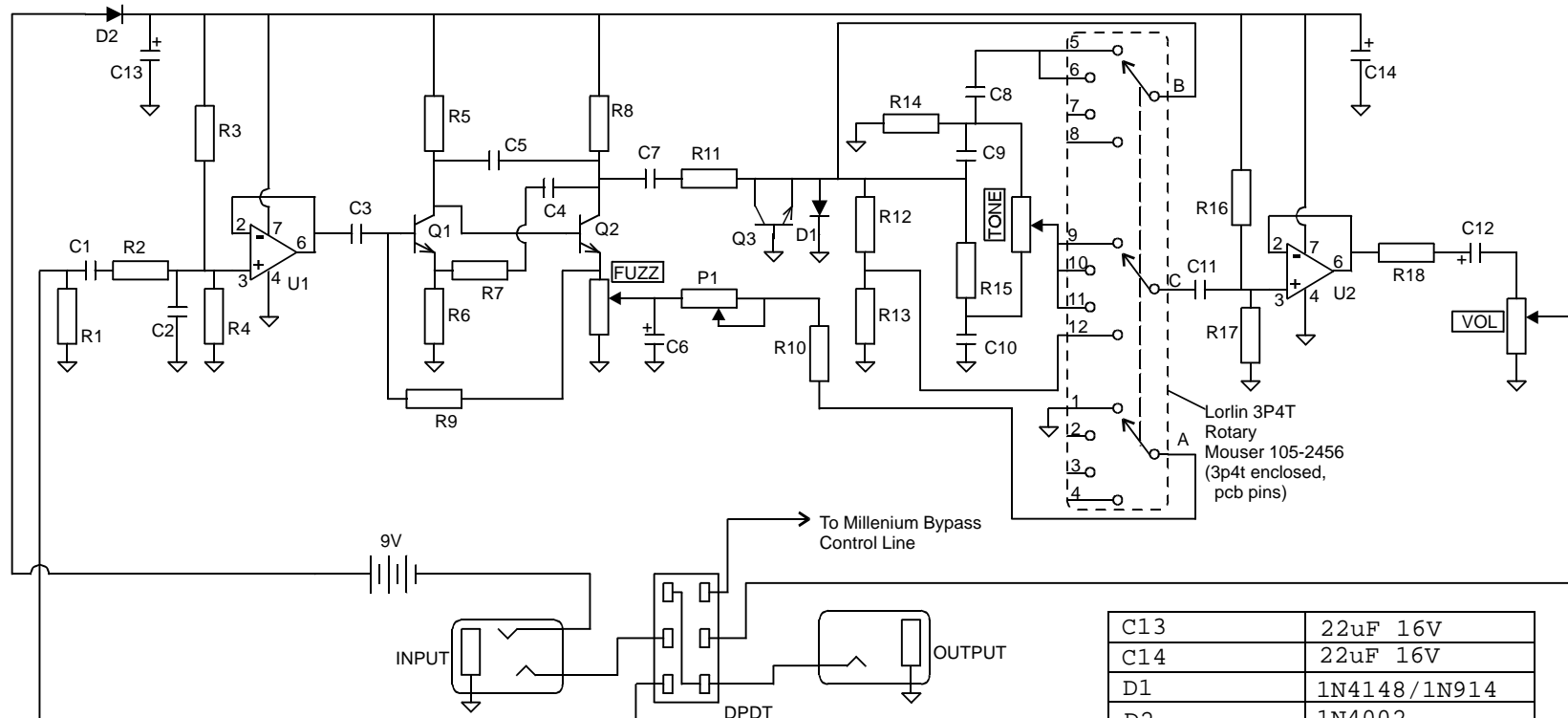


# GREAT CHEDDAR! DISTORTION

A TRIBUTE TO THE BIG CHEESE\*



Part Number	Value
R1	4.7M
R2	1k
R3	680K
R4	680K
R5	100K
R6	470
R7	470K
R8	10K
R9	100K
R10	1K
R11	47K
R12	47K

Part Number	Value
R13	47K
R14	47K
R15	47K
R16	680K
R17	680K
R18	470
P1	1k 3/8" trim
Fuzz	1K Lin
Tone	100K Lin
Volume	10K Log

Part Number	Value
C1	47nF/0.047uF
C2	1.5nF/0.0015uF
C3	47nF/0.047uF
C4	47nF/0.047uF
C5	47pF
C6	4.7uF 16V
C7	47nF/0.047uF
C8	6.8nF/0.0068uF
C9	2.2nF/0.0022uF
C10	10nF/0.01uF
C11	47nF/0.047uF
C12	4.7uF 16V

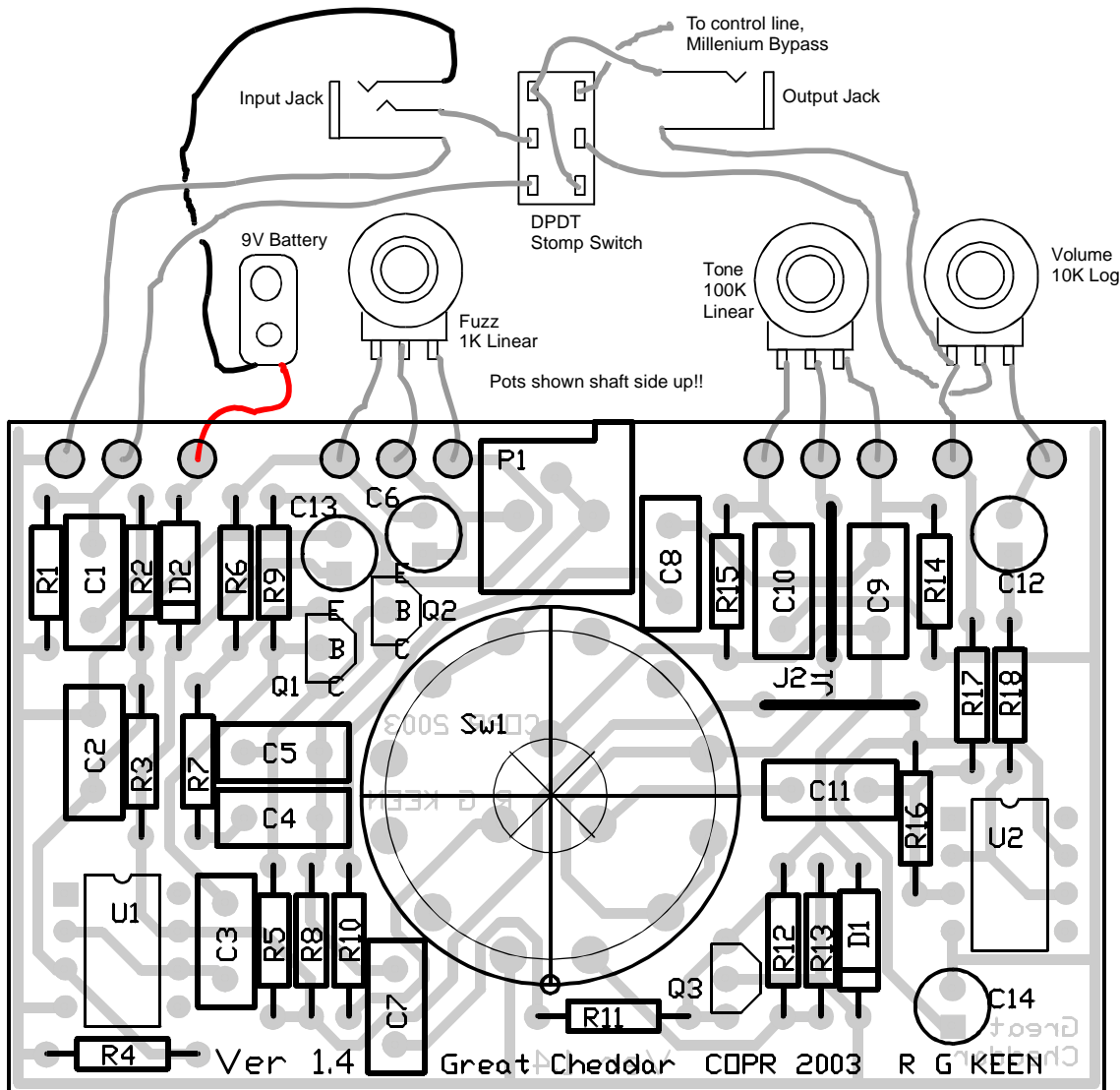
C13	22uF 16V
C14	22uF 16V
D1	1N4148/1N914
D2	1N4002
Q1,2,3	BC549/2N3904
U1,2	Single Opamp
Sw1	3P4T rotary Mouser 105-2456

**Note:** There are rumors of magic tuning being necessary to make this circuit perform like the original. Maybe this is so, maybe no. Multiple builders have confirmed that the circuit as shown here does work, and produces a very nice tone. There will be more info provided as it becomes available.

\* "Big Cheese" is a distortion pedal by Lovetone. This circuit is based on that circuit, and believed to operate similarly. However, any and all rights by Lovetone or others in the mark "Big Cheese" remain the property of that owner.

# GREAT CHEDDAR! DISTORTION

A TRIBUTE TO THE BIG CHEESE\*



Version 1.1 - 4/21/03 corrects missing trace from Q1 collector to Q2 base.  
 Version 1.2 - 4/23/03 corrects power lead on U2 for single opamps.  
 Version 1.3 - 4/23/03 corrects clipping diode leads  
 Version 1.4 - 5/2/03 connect C6/Fuzz pad to ground.  
 Version 1.5 - 7/4/03 Flip D1 polarity. This version works, has multiple builds. No PCB changes necessary.

Note the position of the orienting pin on the rotary switch - it's indicated by the red circle in the wiring diagram.

Actual Size Toner Transfer Pattern

